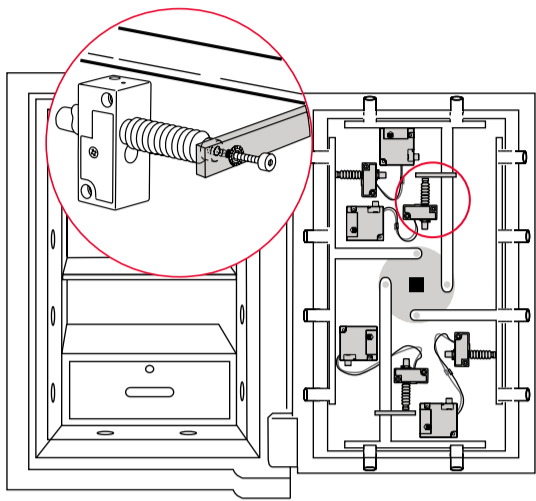
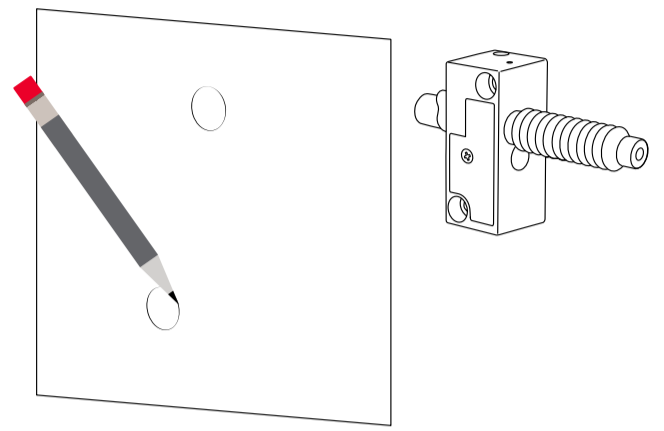


Safe Lock Model SL870
Control Unit Model CU874 | Installation Instructions

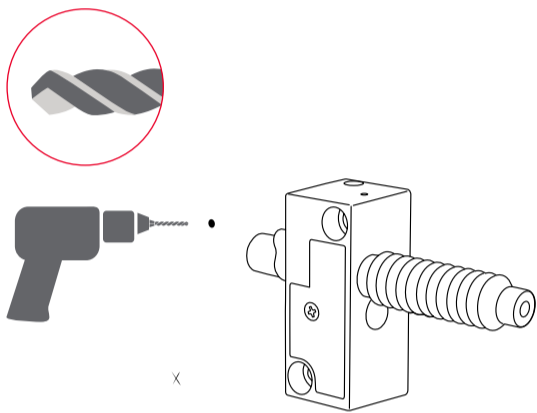
1



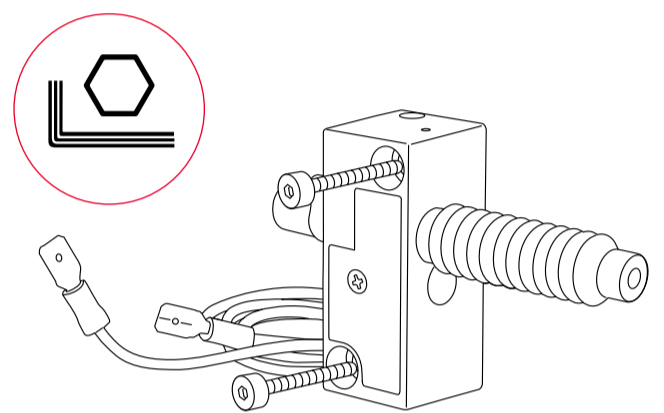
2



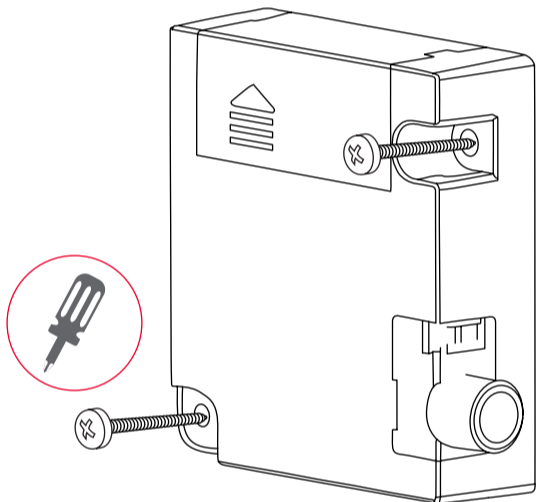
3



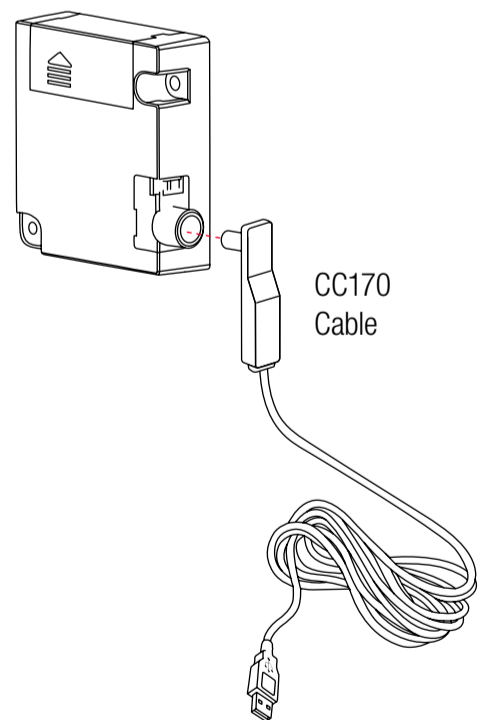
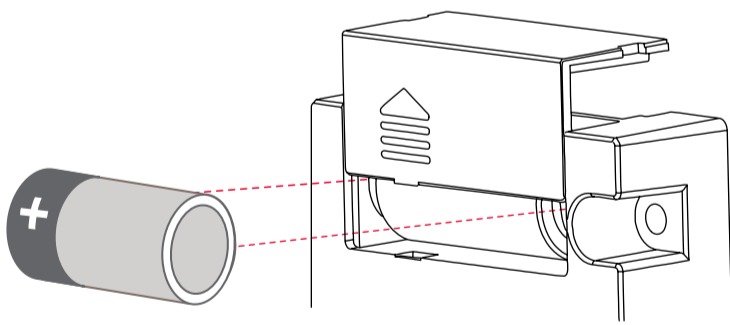
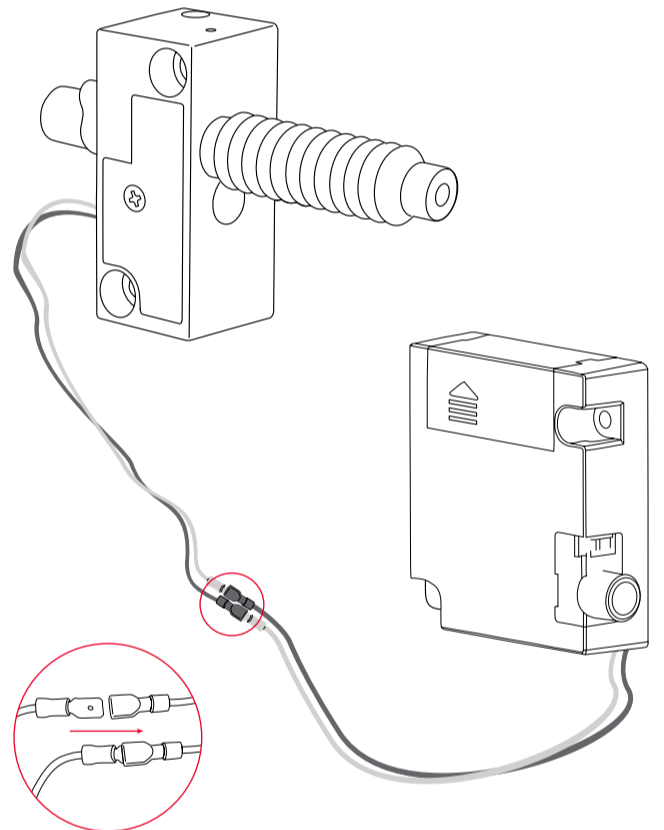
4



5

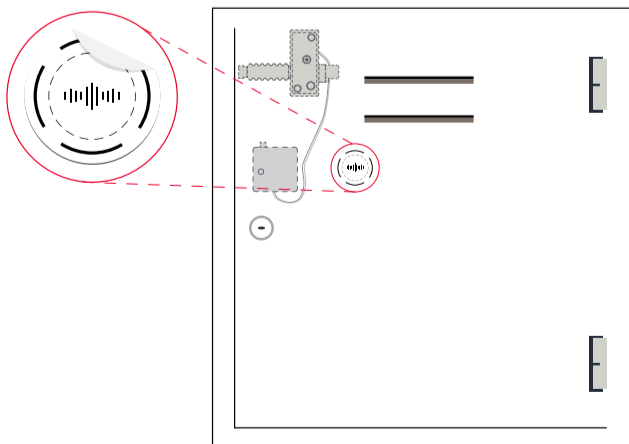


6



Knock Point

Find a Knock Point, on the outside of the door, in which reception is good.
Mark the knock point using the Knock Point Sticker



Note:
Recommended point should be within 20cm radius from the Control Unit

Make sure the sticker doesn't reveal the Locking Unit location
For more information please refer to Installation Guidelines