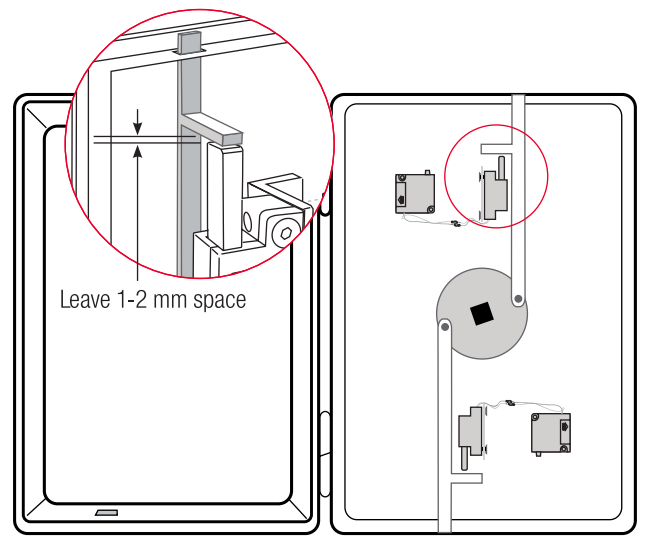
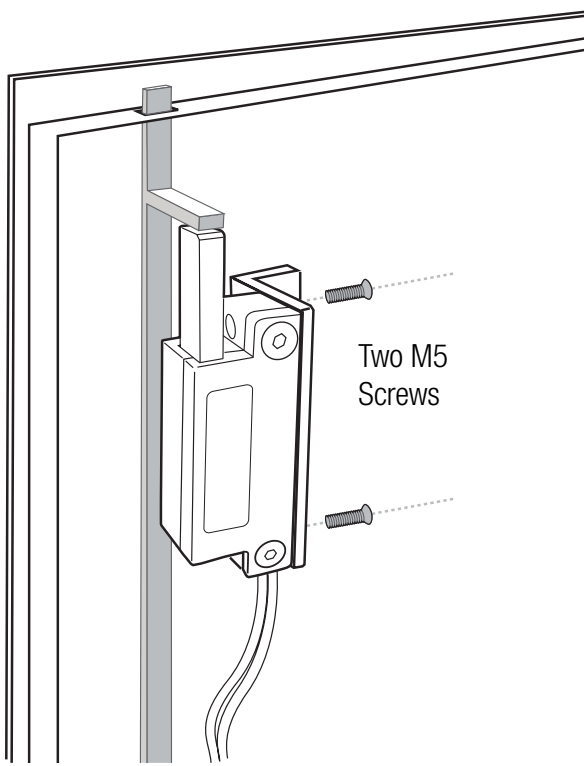
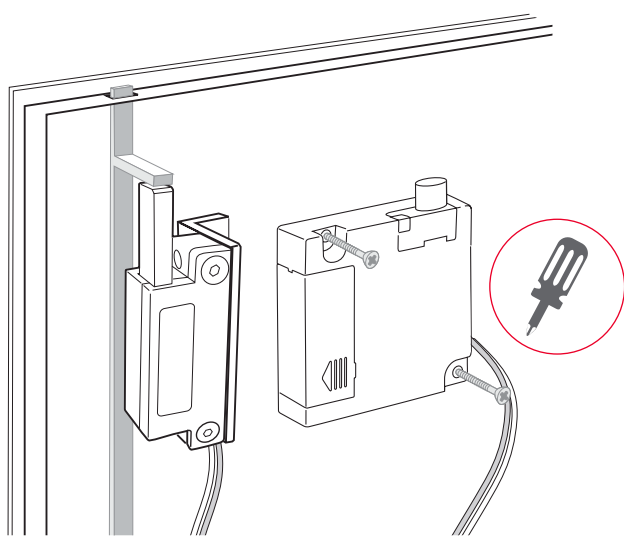


Blocking Device **Model BD825** with
Control Unit | Installation Instructions

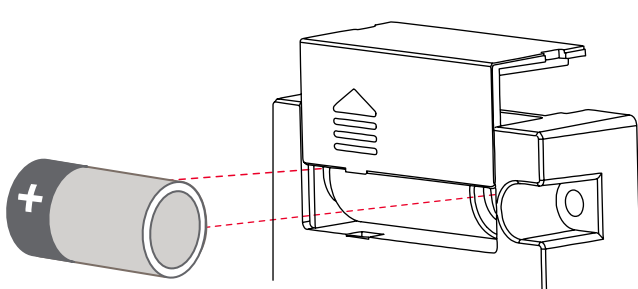
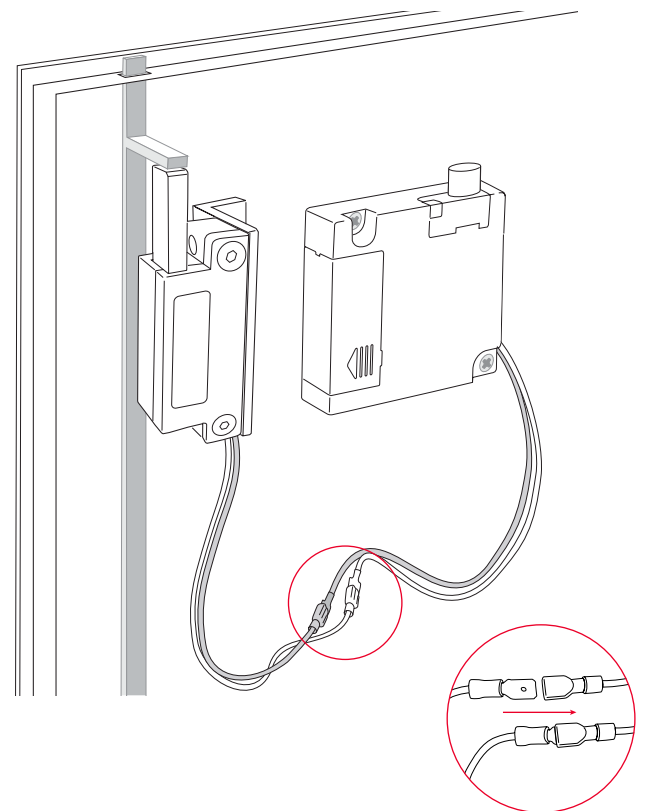
1



2

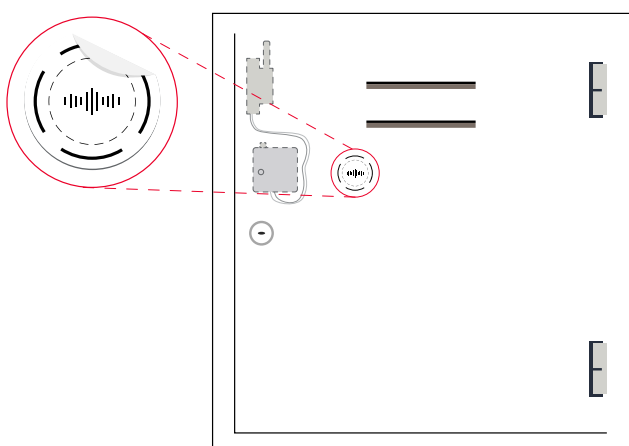


3



Knock Point

Find a Knock Point, on the outside of the door, in which reception is good.
Mark the knock point using the Knock Point Sticker



Note:
Recommended point should be within 20cm radius from the Control Unit
Make sure the sticker doesn't reveal the Locking Unit location
For more information please refer to Installation Guidelines

