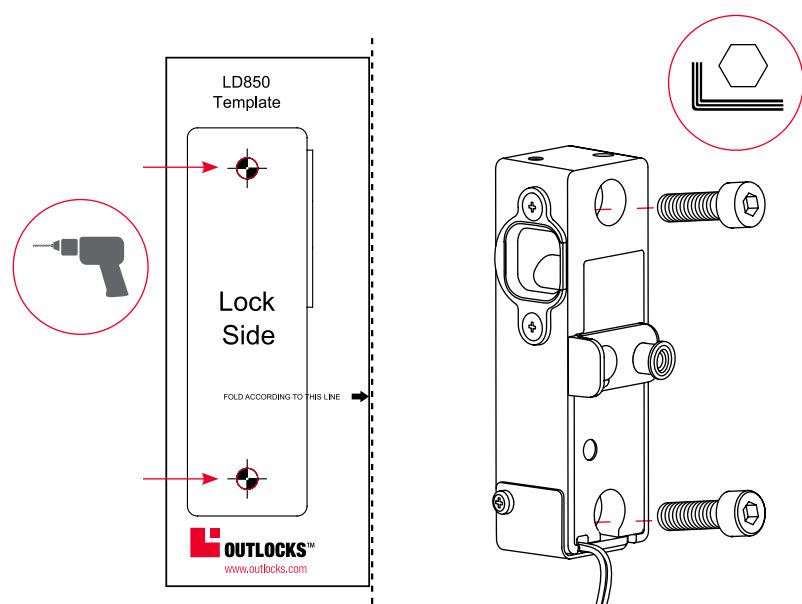


Locking Device **Model LD850** with Control Unit | Installation Instructions

Install the lock

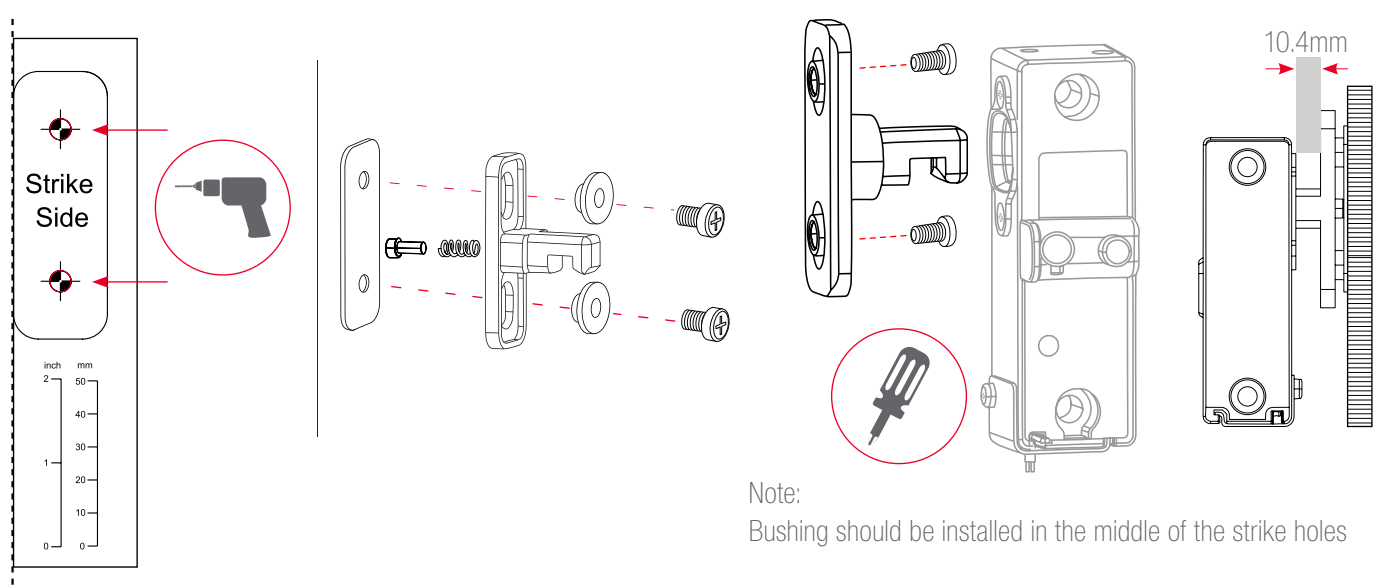
Lock side. Drill Ø8mm (5/16") holes (at least 30mm (1-3/16") deep) at the indicated 2 marks on the inside.



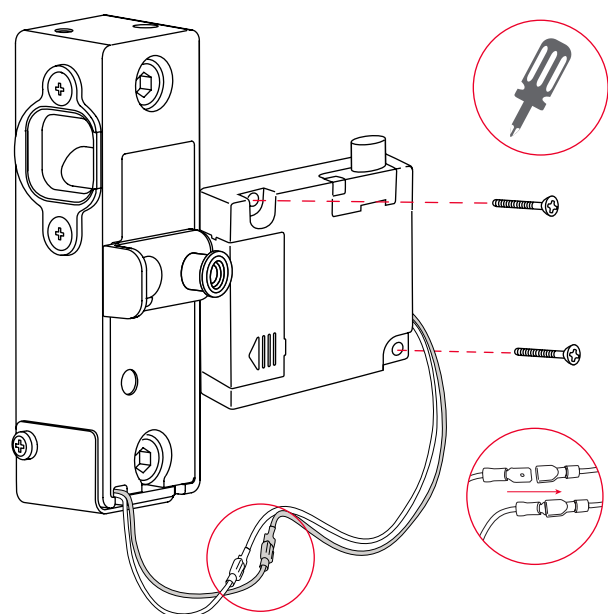
Install the strike

Strike side. Drill Ø8mm (5/16") holes (at least 30mm (1-3/16") deep) at the indicated 2 marks on the inside.

Confirm distance of 10.4mm between strike and Locking device

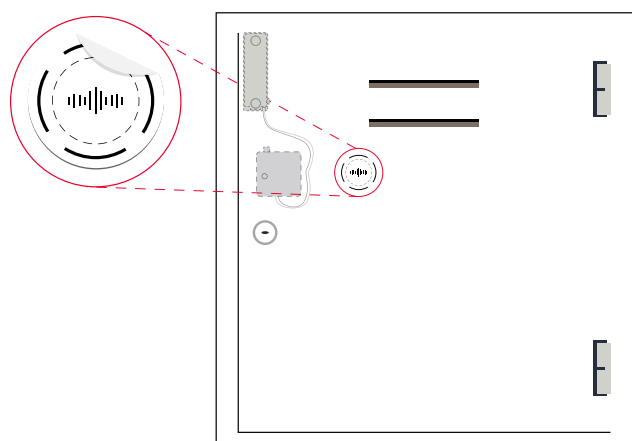


Install the control unit

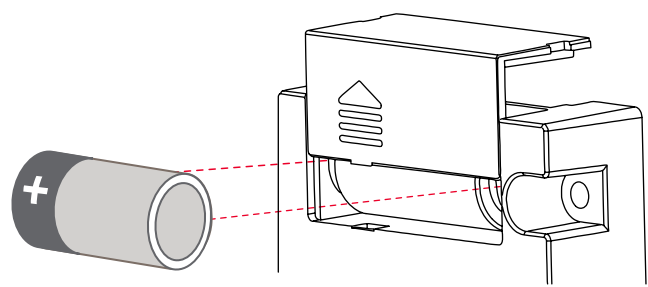


Knock Point

Find a Knock Point, on the outside of the door, in which reception is good.
Mark the knock point using the Knock Point Sticker



Make sure the sticker doesn't reveal the Locking Unit location
For more information please refer to Installation Guidelines



Indoor opening button

Press and hold the button to unlock from inside

