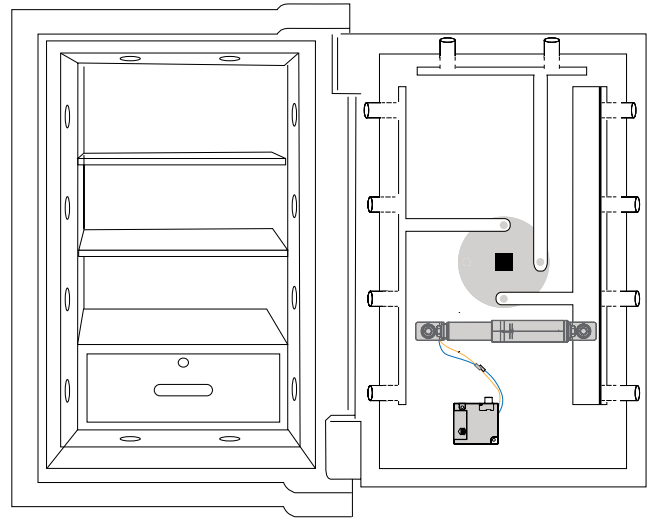
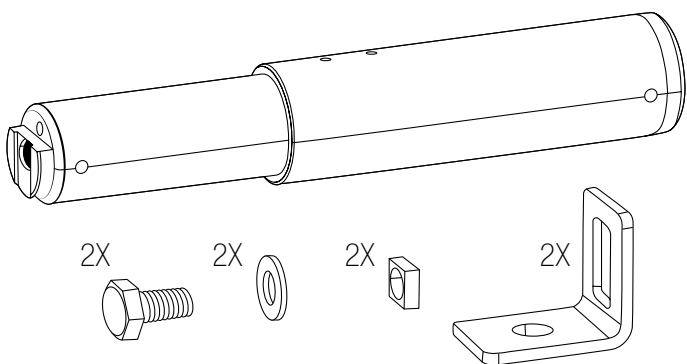
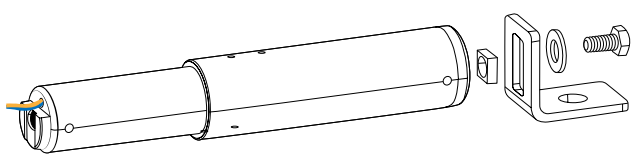


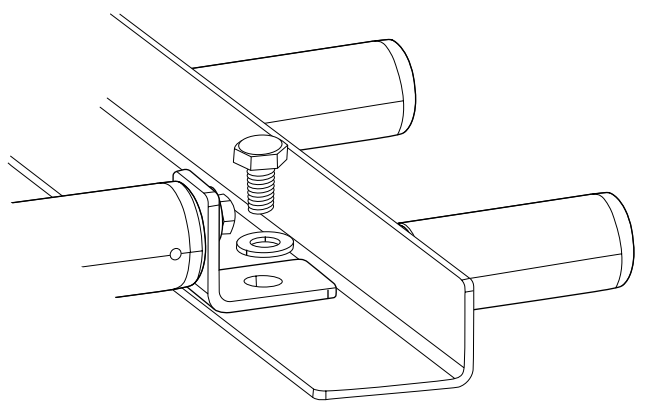
Movement Blocker Model MB810 with Control Unit | Installation Instructions



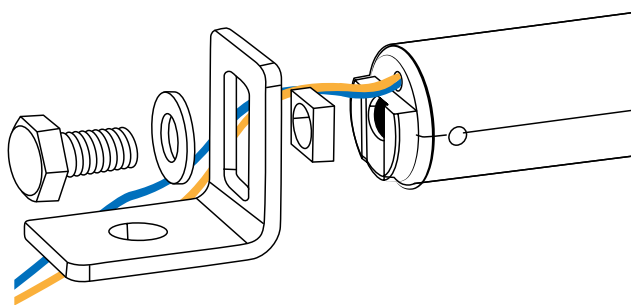
1
Mount the L shaped bracket to the wider cylinder side.



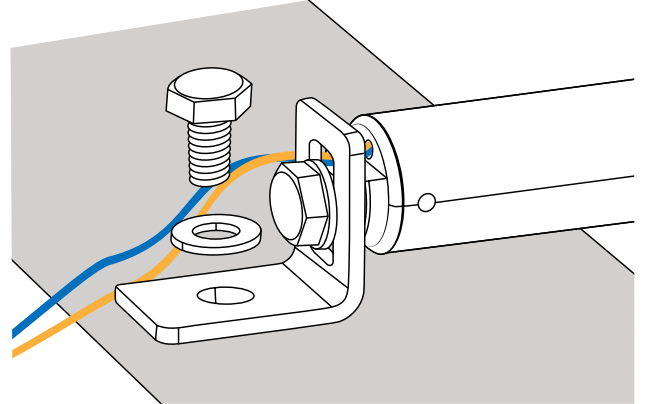
2
Mount the Movement Blocker to the bolt's mechanism surface.



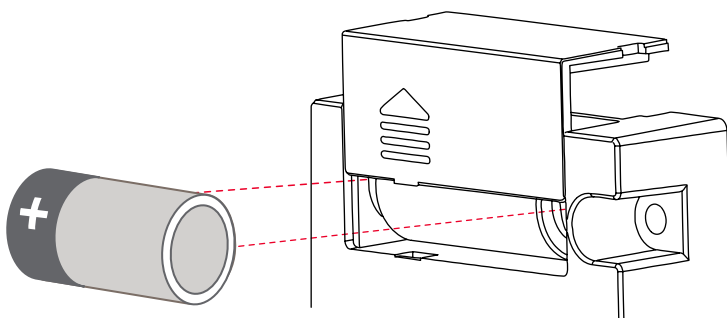
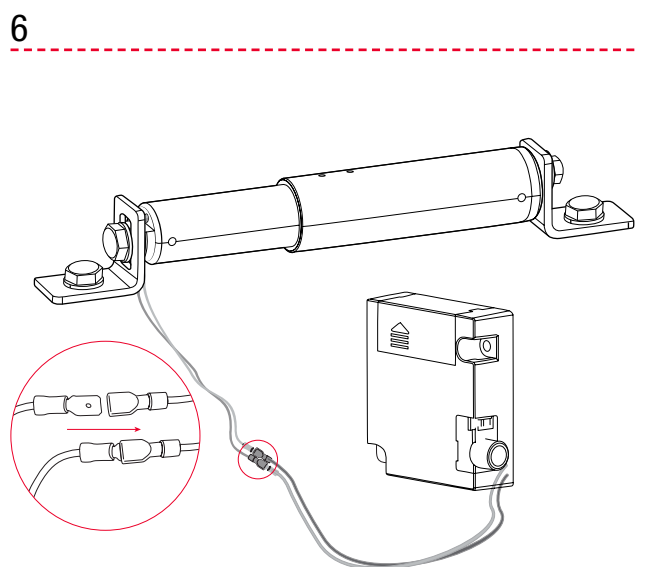
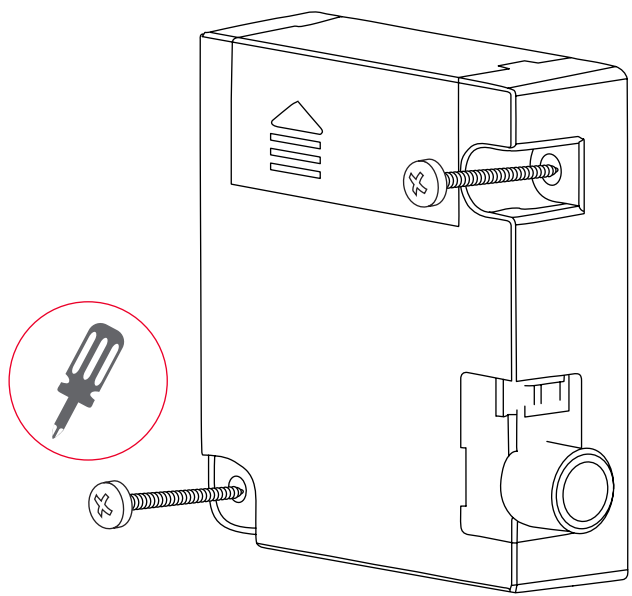
3
Mount the L shaped bracket to the narrow side of the cylinder. Confirm wires are loose.



4
Extend the Movement Blocker to full locked position. Mount the Movement Blocker on the safe door or frame.

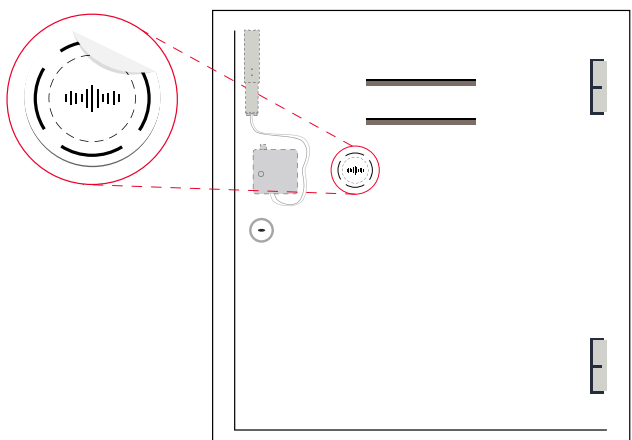


5
Mount the Control Unit at the best location for receiving the knock code.



Knock Point

Find a Knock Point, on the outside of the door, in which reception is good.
Mark the knock point using the Knock Point Sticker



Note:
Recommended point should be within 20cm radius from the Control Unit

Make sure the sticker doesn't reveal the Locking Unit location

For more information please refer to Installation Guidelines

CC170
Cable