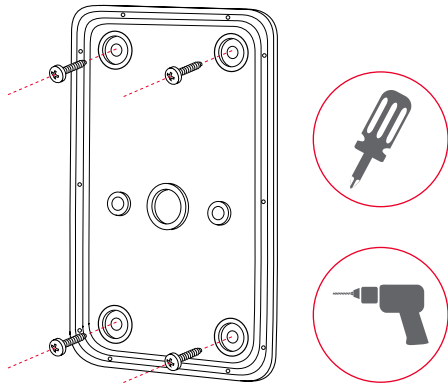


Mounted Keypad **Model MK204** with Protective Cover **Model PC204** | Installation Instructions

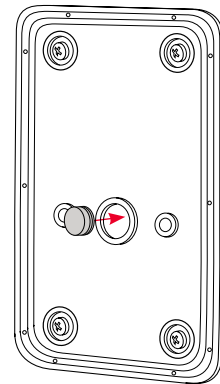
1

Install back plate on the wall using suitable screws.



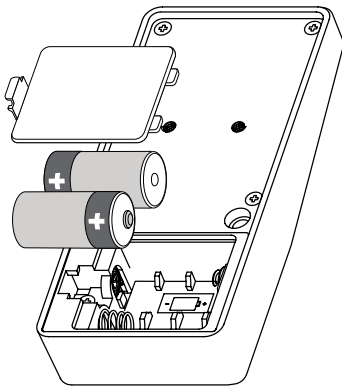
2

Confirm knocking pin is in place (o-ring closer to wall).



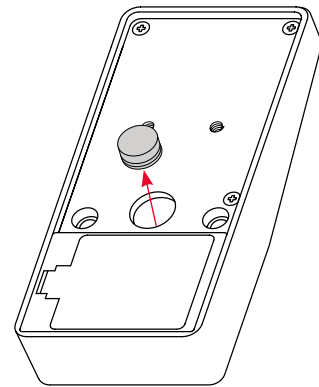
3

Insert MK batteries.



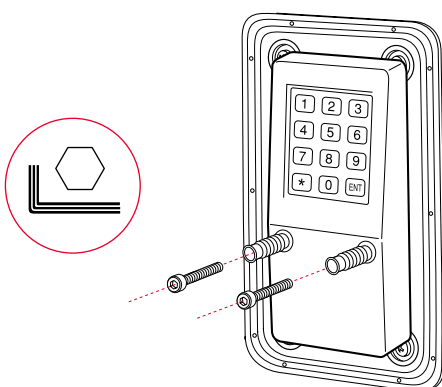
4

Remove knocking pin from the back of the MK.



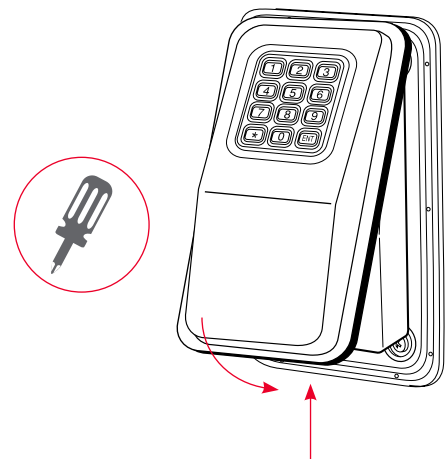
5

Install the MK into the back plate using the bushings, springs and M4 x 20mm machine screws.



6

Push the PC downwards and tighten the PC screw.



7

Install the frame and tighten with 10 screws.

