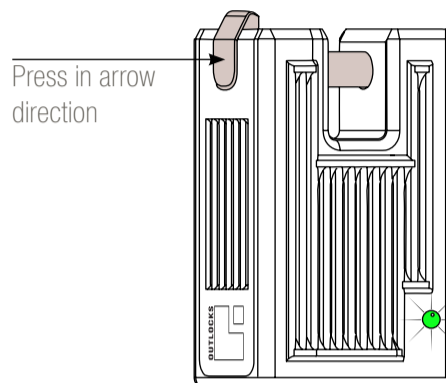


Padlock **Model PL554** | Operation Instructions

Unlock and Relock

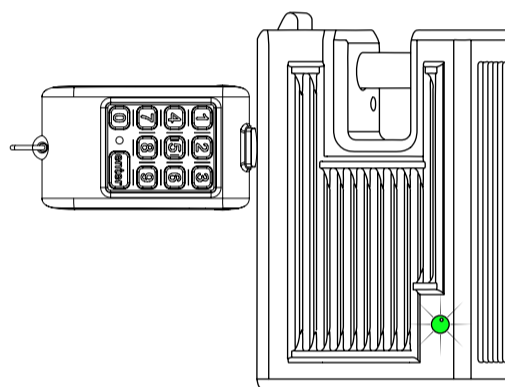
Activation

Press and hold the Shackle inwards against the Padlock (in locking direction) for 2 seconds until the operation led is lit



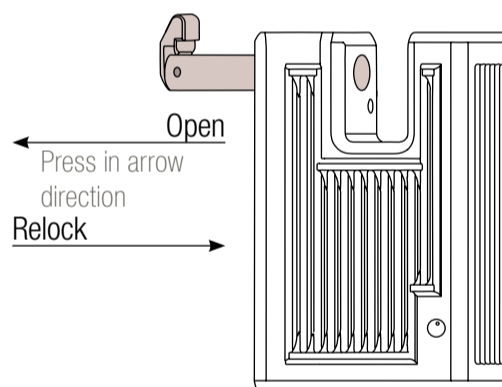
Unlocking

Transmit the knocks directly onto the Padlock surface



Opening

Pull the Shackle out to open the Padlock



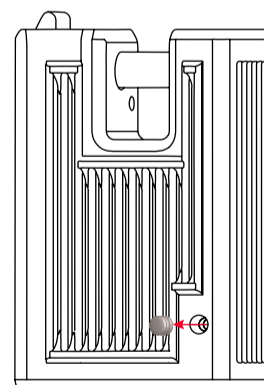
Relocking

Slide the shackle back to closed position. Click sound will indicate the relock.

Synchronization

1

Remove rubber lid from the Padlock casing



2

Plug the synchronization cable into the socket and synchronize the pad lock

When synchronization is complete, remove the cable and return the rubber lid

