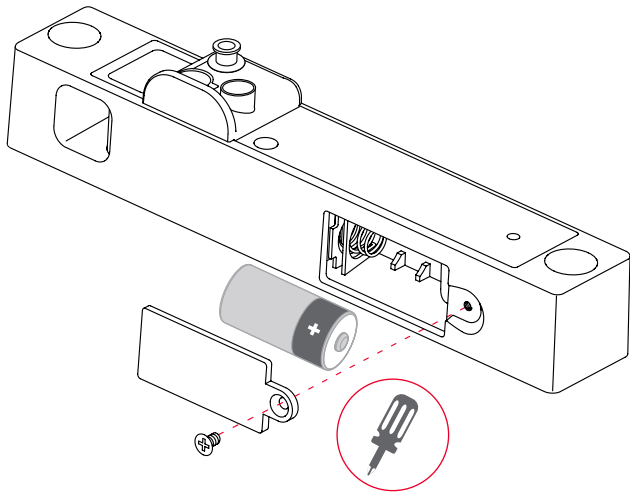


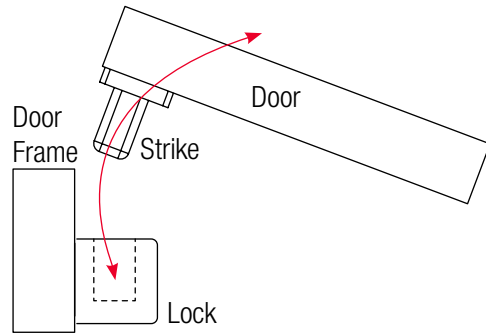
Versatile Locking Unit **Model VL464** With Versatile Strike **Model VS460** | Installation Instructions

1

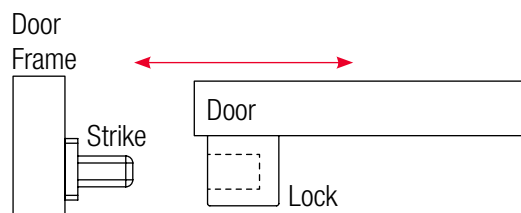
Install the battery. After the insertion of the new battery, confirm that the Led blinks once. It is recommended to program the Locking Unit prior to installation.



Hinge Door

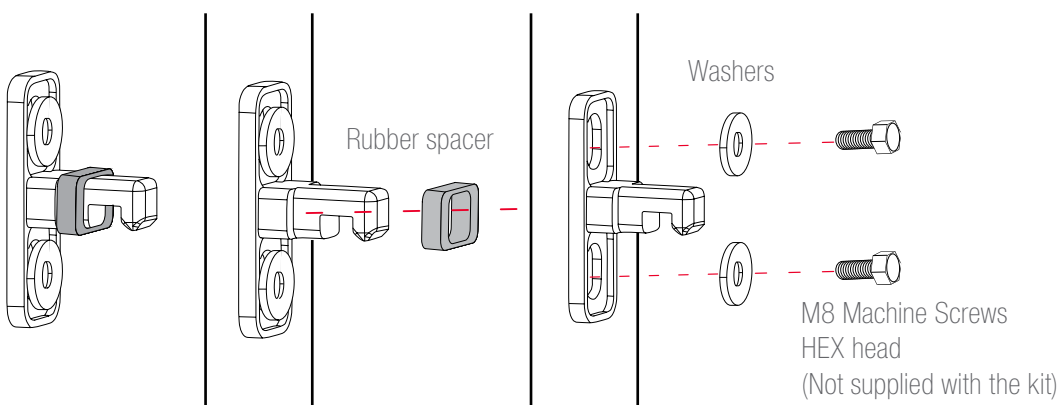


Sliding Door



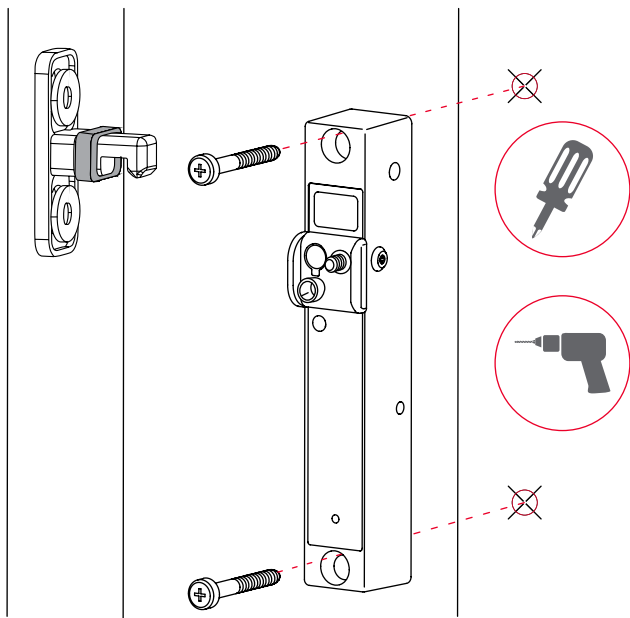
2

Install the strike.



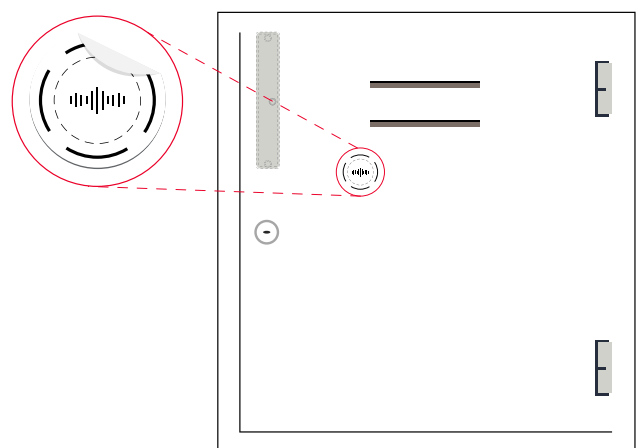
3

Install the Locking Unit and tighten the screws.



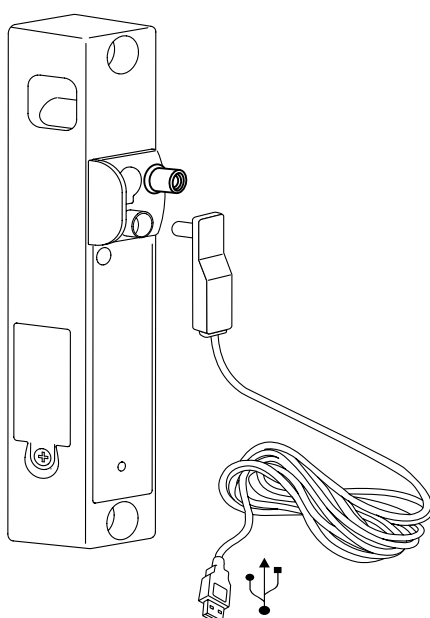
4

Find a Knock Point, on the outside of the door, in which reception is good.
Mark the knock point using the Knock Point Sticker



Note:
Recommended point should be within 20cm radius from the Control Unit
Make sure the sticker doesn't reveal the Locking Unit location
For more information please refer to Installation Guidelines

Sync



Indoor Opening Button

Press and hold the button to unlock from inside.

