

Half Cylinder

Model CL350/CL352



Half Cylinder model CL350 is designed to retrofit into common cabinets handle to replace existing locking mechanism. Operated by Wi-Key technology Control unit, The CL350 has the added benefit of the Wi-Key access management system- on-line control and monitoring and eliminating the need for key management. The half cylinder fits outdoor installations (IP65 closed).

Technical Specifications

Case: Stainless Steel

Mechanism: Stainless Steel

Size: H=33mm (1.3"), L=42mm(1.65")

Operating Temperature:

-25°C (-13°F) to +70°C (+158°F)

Operated by: Wi-Key Control unit

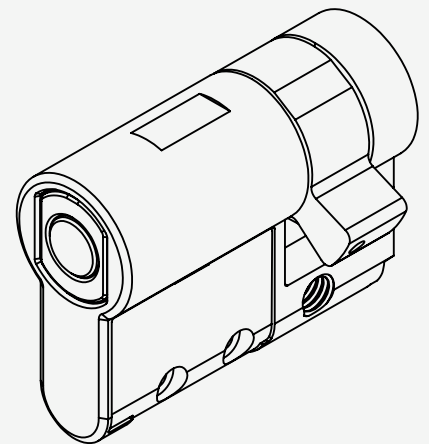
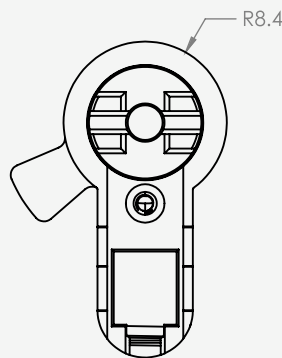
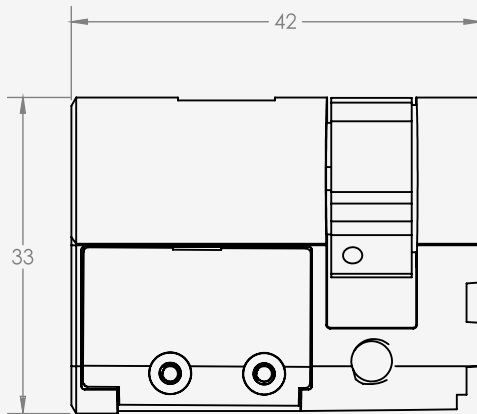
Standards: IP65; CE; FCC; ESD Immunity; ASTMB117

Endurance: over 80,000 Cycles

Applications

Communication cabinets,
Street cabinets, etc.

CL35x



* L91 Batteries, up to 10 years on standard operation